

## ALL TERRAIN CRANE

Capacity: 20 tonnes

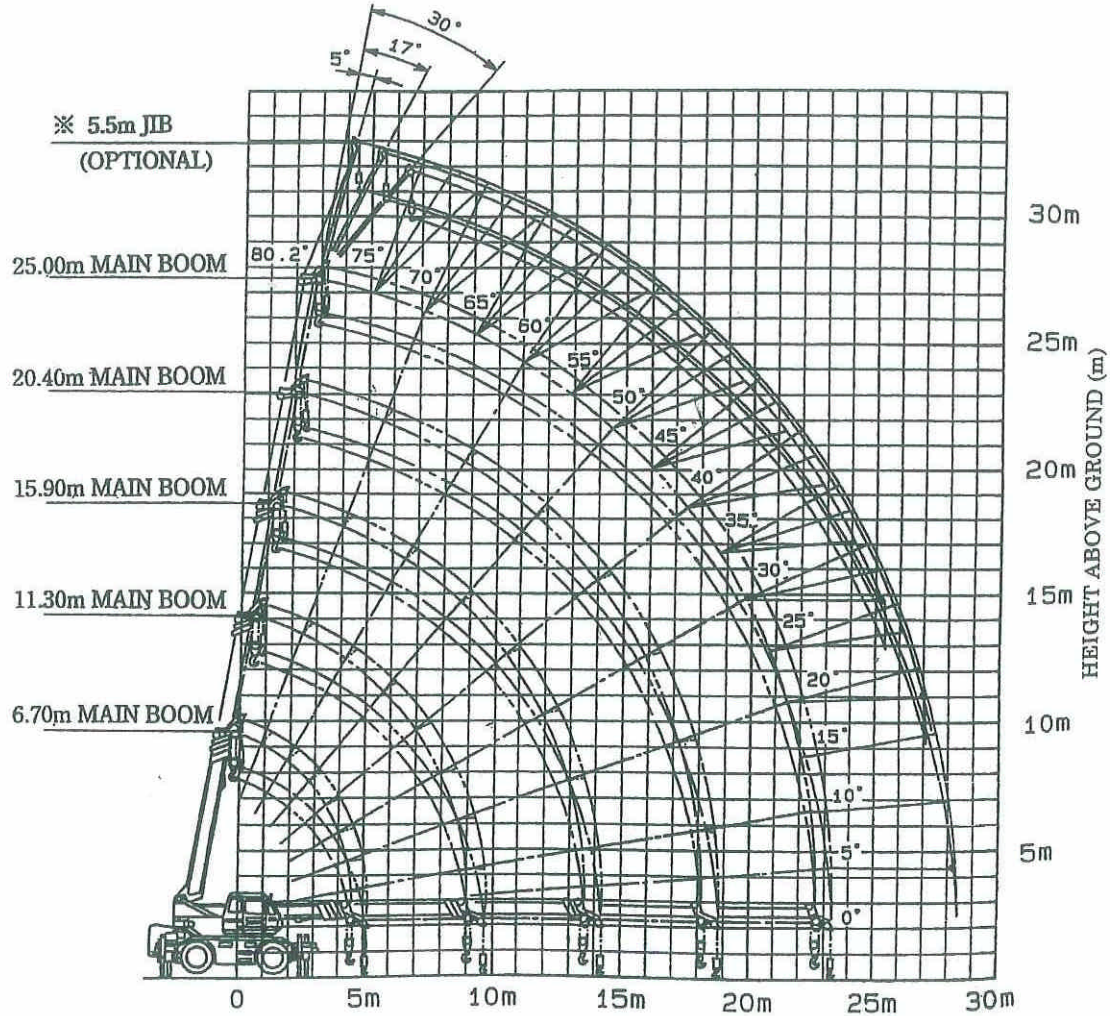
Boom: 6.7m—30.5m



**20 TONNE ALL TERRAIN CRANE**

# Specifications for 20 Tonne All Terrain

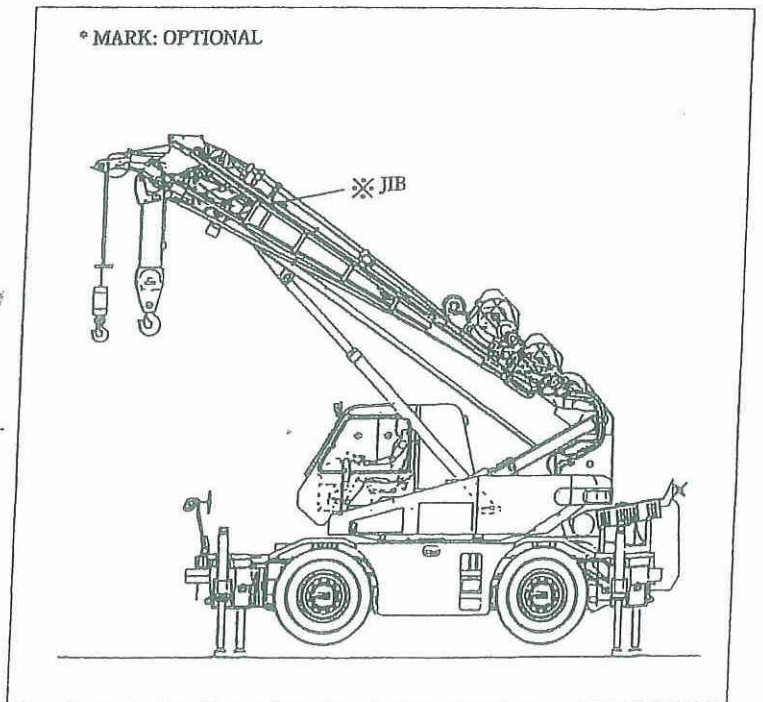
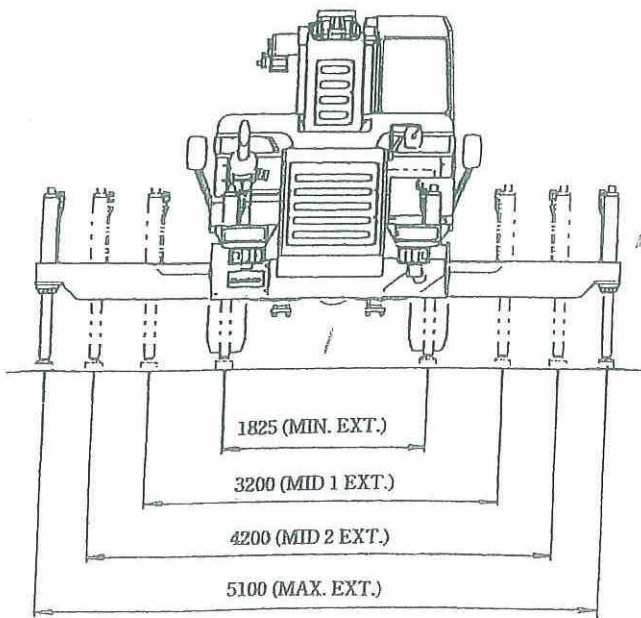
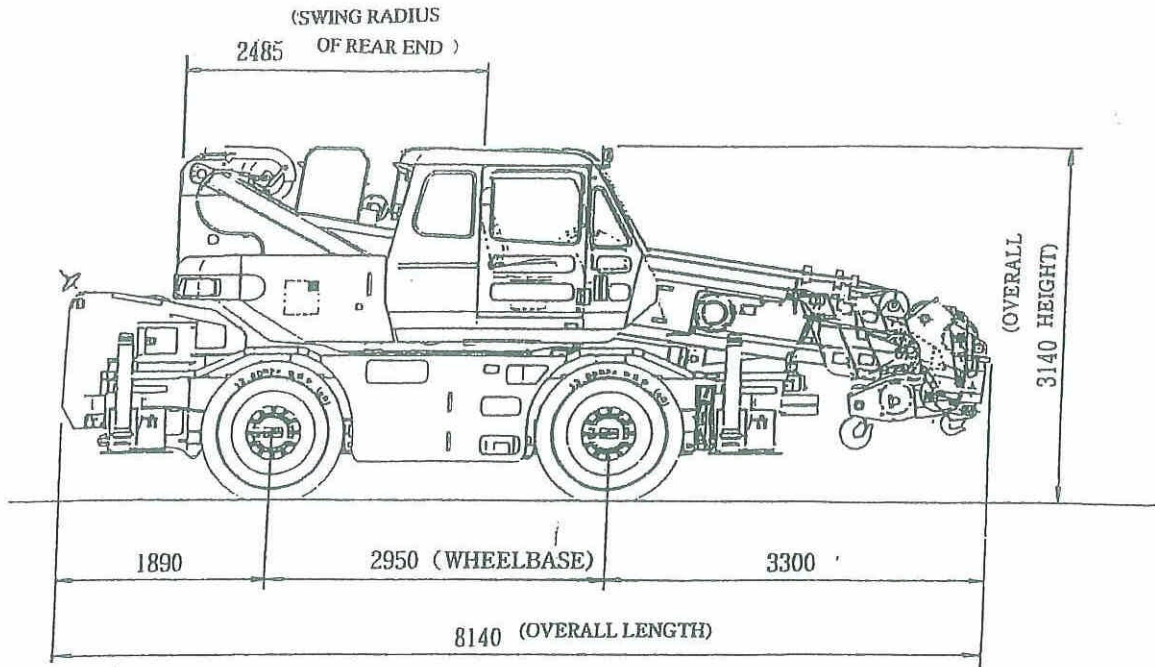
## OPERATING RADIUS (m)



**RATED CRANE LOAD TABLE - BOOM RATED LOADS (ton)/WITH OUTRIGGERS**

[UNIT: TON]

BOOM LENGTH (m)	OUTRIGGERS MAX. (5.1m) EXT. (WHOLE AROUND)					OUTRIGGERS MID (4.2m) EXT. (OVER SIDE)					OUTRIGGERS MID. (3.2m) EXT. (OVER SIDE)					OUTRIGGERS MIN. EXT. (OVER SIDE)					BOOM LENGTH (m)	OPERATING RADIUS (m)		
	6.7	11.3	15.9	20.4	25.0	6.7	11.3	15.9	20.4	25.0	6.7	11.3	15.9	20.4	25.0	6.7	11.3	15.9	20.4	25.0				
2.5	16.00	12.00	9.00	7.00		16.00	12.00	9.00	7.00		16.00	12.00	9.00	7.00		7.75	7.80	7.80	7.00		2.5			
3.0	16.00	12.00	9.00	7.00		16.00	12.00	9.00	7.00		13.00	12.00	9.00	7.00		5.55	5.60	5.60	6.10		3.0			
3.5	14.00	12.00	9.00	7.00	5.00	14.00	12.00	9.00	7.00	5.00	10.00	10.00	9.00	7.00	5.00	4.20	4.30	4.25	4.70	4.70	3.5			
4.0	12.50	12.00	9.00	7.00	5.00	12.50	12.00	9.00	7.00	5.00	7.70	7.50	7.20	7.00	5.00	3.30	3.40	3.35	3.70	3.80	4.0			
4.5	11.50	11.10	8.50	7.00	5.00	11.20	10.55	8.30	7.00	5.00	5.40	6.20	6.10	6.45	5.00	2.65	2.70	2.70	3.00	3.10	4.5			
5.0		10.25	8.05	7.00	5.00		9.15	7.65	7.00	5.00		5.10	5.00	5.30	5.00		2.20	2.25	2.55	2.65	5.0			
5.5		9.40	7.60	6.60	4.75		7.75	6.95	6.55	4.75		4.30	1.20	4.50	4.70		1.80	1.85	2.10	2.25	5.5			
6.0		8.55	7.15	6.20	4.55		6.55	6.30	6.10	4.55		3.60	3.60	3.85	4.05		1.50	1.55	1.80	1.90	6.0			
6.5		7.70	6.70	5.8	4.35		5.65	5.60	5.70	4.35		3.10	3.10	3.35	3.55		1.25	1.30	1.55	1.65	6.5			
7.0		6.84	6.20	5.50	4.15		4.90	4.95	5.25	4.15		2.70	2.70	2.95	3.10		1.05	1.05	1.30	1.40	7.0			
7.5		6.00	5.70	5.15	3.90		4.30	4.40	4.70	3.95		2.40	2.35	2.30	2.80		0.85	0.85	1.15	1.30	7.5			
8.0		5.30	5.20	4.85	3.70		3.80	3.85	4.20	3.70		2.10	2.05	2.30	2.50		0.70	0.70	0.95	1.10	8.0			
9.0		4.25	4.25	4.30	3.30		3.05	3.10	3.40	3.30		1.65	1.60	1.85	2.00			0.45	0.70	0.85	9.0			
10.0			3.50	3.75	3.00			2.50	2.80	2.90			1.25	1.50	1.65			0.30 (0.5m)	0.50	0.65	10.0			
11.0			2.90	3.20	2.70			2.05	2.35	2.50			1.00	1.20	1.35				0.29	0.50	11.0			
12.0			2.45	2.75	2.50			1.70	1.95	2.15			0.80	1.00	1.15					0.30	12.0			
13.0			2.05	2.35	2.30			1.40	1.65	1.85			0.63	0.80	0.95						13.0			
14.0			1.85 (13.6m)	2.05	2.10			1.25 (13.6m)	1.45	1.60			0.50 (13.6m)	0.65	0.80						14.0			
15.0				1.75	1.90				1.20	1.40				0.55	0.65						15.0			
16.0				1.50	1.70				1.00	1.20				0.40	0.55						16.0			
17.0				1.32	1.50				0.80	1.00					0.45						17.0			
18.0				1.15	1.30				0.65	0.85					0.35						18.0			
19.0				1.15 (18.1m)	1.15				0.60 (18.1m)	0.70											19.0			
20.0					1.00					0.60											20.0			
21.0					0.90					0.50											21.0			
22.0					0.80					0.40											22.0			
24.0					0.74 (22.7m)					0.35 (22.7m)											24.0			
26.0																					26.0			
28.0																					28.0			
30.0																					30.0			
MIN. BOOM ANGLE	0°	0°	0°	0°	0°	0°	0°	0°	0°	0°	0°	0°	0°	0°	0°	0°	0°	0°	0°	0°	45°	52°	57°	MIN. BOOM ANGLE



GENERAL DIMENSION (UNIT : mm)