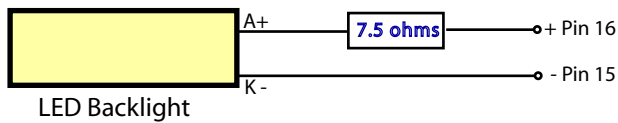
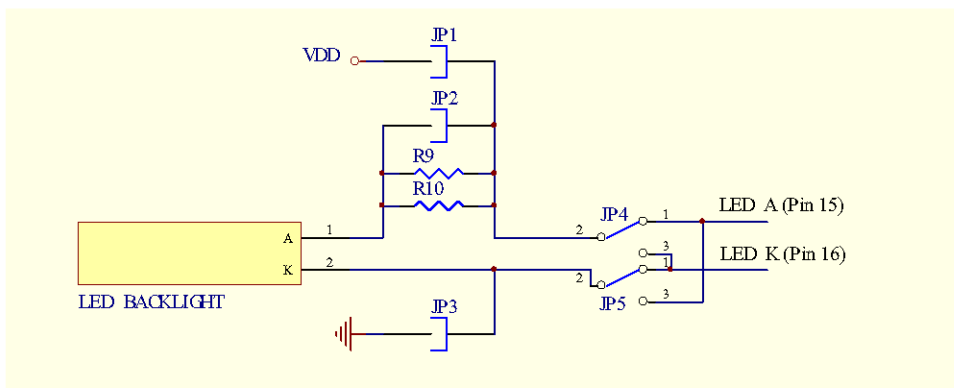


Ampire AC-162D-YJLY57H LCD display

Note: I have checked a few displays and the backlight LEDs are wired up as shown below. A current of 90ma gives a good backlight (spec is 120ma). You may or may not wish to put an extra resistor in series with the supply as it runs fine off the 5 volt rail . I am using a 3.3 ohm resistor (in addition to the 7.5 ohm) to the + 5V.



Below is an extract from the data sheet



There are four methods to light up the LED back-light : (Please indicate while ordering.)

- (1) Built-in current-limit resistor(R9/R10). Add +5V between Pin15&16. (Default)
- (2) Add +4.05V between LED A & K directly.
- (3) Short JP2 and add +4.05V between Pin15&16.
- (4) Built-in current-limit resistor(R9/R10) and short JP1&JP3. Use the same power (+5V) with the logic circuit.

for more see <http://vk2bak.no-ip.com/>